

brand	<b>PARTNER</b>
-------	----------------

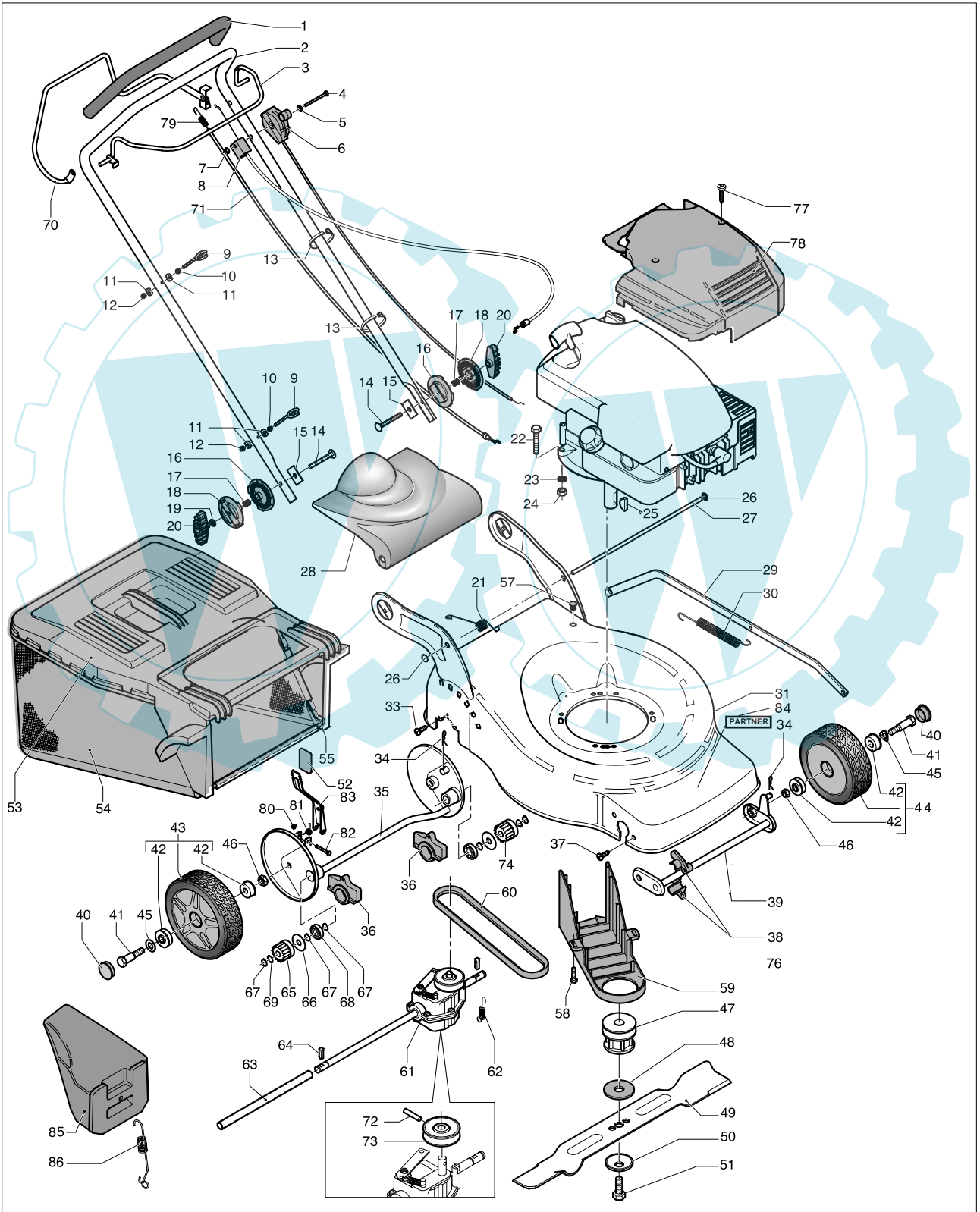
date	APR/04	SHEET 1/2
------	--------	-----------

Model

<b>P 4046 SDVK</b>

Product number

<b>953878154</b>



brand | **PARTNER**

date | APR-04 | SHEET 02/02

Model

**P 4046 SDVK**

Pos.	PN ELX	MEP P/n°	DESCRIPTION	Q.ty	Pos.	PN ELX	MEP P/n°	DESCRIPTION	Q.ty
1	531210725	10172713	SHEATING	1	43	531210613	09122041	WHEEL	2
2	531211438	10172933	HANDLE	1	44	531210703	09175111	WHEEL	2
3	531211452	10135891	BRAKE HANDLE	1	45	531206644	10275100	WASHER	4
4	531206212	10155420	SCREW	1	46	531207978	20101700	NUT	4
5	531206666	10284700	WASHER	1	47	531205048	10120200	BLADE ADAPTER	1
6	531206210	10155360	ACCELERATOR	1	48	531207243	10531700	WASHER	1
7	531205213	10121890	NUT	1	49	531211017	10172770	BLADE	1
8	531205191	10121610	BRAKE CABLE	1	50	531207237	10530900	WASHER	1
9	531205169	10121470	CABLE HOOK	2	51	531208008	20120580	SCREW	1
10	531204961	10115900	WASHER	4	52	531207986	20107203	SHEATING	1
11	531207165	10501200	NUT	2	53	531208296	20146113	BAG HOUSING	1
12	531208491	20281800	NUT	2	54	531208306	20146303	SAC	1
13	531205581	10135600	CLAMP	2	55	531208300	20146123	BAG-FRAME	1
14	531211480	10173060	SCREW	2	57	531205557	10135413	CABLE LOCK	1
15	531211581	10173103	PLATE	2	58	531207856	10831800	SCREW	3
16	531211473	10173003	DISK	2	59	531205047	10120183	BELT HOUSING	1
17	531211476	10173033	SPRING	2	60	531207280	10548500	BELT	1
18	531211474	10173013	DISK	2	61	531212936	9173710	GEAR-BOX	1
19	531204922	10114200	WASHER	2	62	531206182	10155210	SPRING	1
20	531205840	10141253	KNOP	2	63	531207697	10766503	SPACER TUBE	1
21	531211840	10173270	SPRING	1	64	531205108	10121160	KEY	2
22	531207044	10390800	SCREW	3	65	531205045	10120160	PINION	1
23	531207981	20106200	WASHER	6	66	531207847	10831200	WASHER	2
24	531207982	20106300	NUT	3	67	531208772	20655800	SEEGER	6
25	531204907	10100900	KEY	1	68	531208778	20657600	BALL-BEARING	2
26	531210824	10175400	WASHER	2	69	531208859	20761300	WASHER	2
27	531211441	10172980	TIE ROD	1	70	531205616	10135883	CLUTCH HANDLE	1
28	531212646	10173511	DEFLECTOR	1	71	531211847	10173110	CABLE	1
29	531205069	10120653	AXLE	1	74	531205046	10120170	PINION	1
30	531205056	10120460	SPRING	1	75	531211966	10155560	SPACER	2
31	531212386	10185031	DECK	1	76	531206031	10146690	SAFETY HOUSING	1
33	531208216	20135720	SCREW	2	77	531212688	BBS94073	SCREW	1
34	531206653	10281400	COTTER PIN	2	78	531211690	10173203	MOTOR COVER	1
35	531212363	1017342ZC	AXLE	1	79	531210573	10177570	SPRING	1
36	531205944	10146093	SUPPORT	2	80	531208492	20282100	NUT	1
37	531208844	20734900	SCREW	4	81	531210817	10175450	SPRING	1
38	531205057	10120473	SUPPORT	4	82	531206346	10162910	SCREW	1
39	531212587	1012029ZC	AXLE	1	83	531212364	1017546ZC	LEVER	1
40	531210538	10114801	PLUG	4	84	531211559	9999A255	LABEL	1
41	531205042	10120090	SCREW	4	85	531210617	10172700	PLUG	1
42	531205214	10121900	BALL-BEARING	4	86	531211184	10172820	SPRING	1